

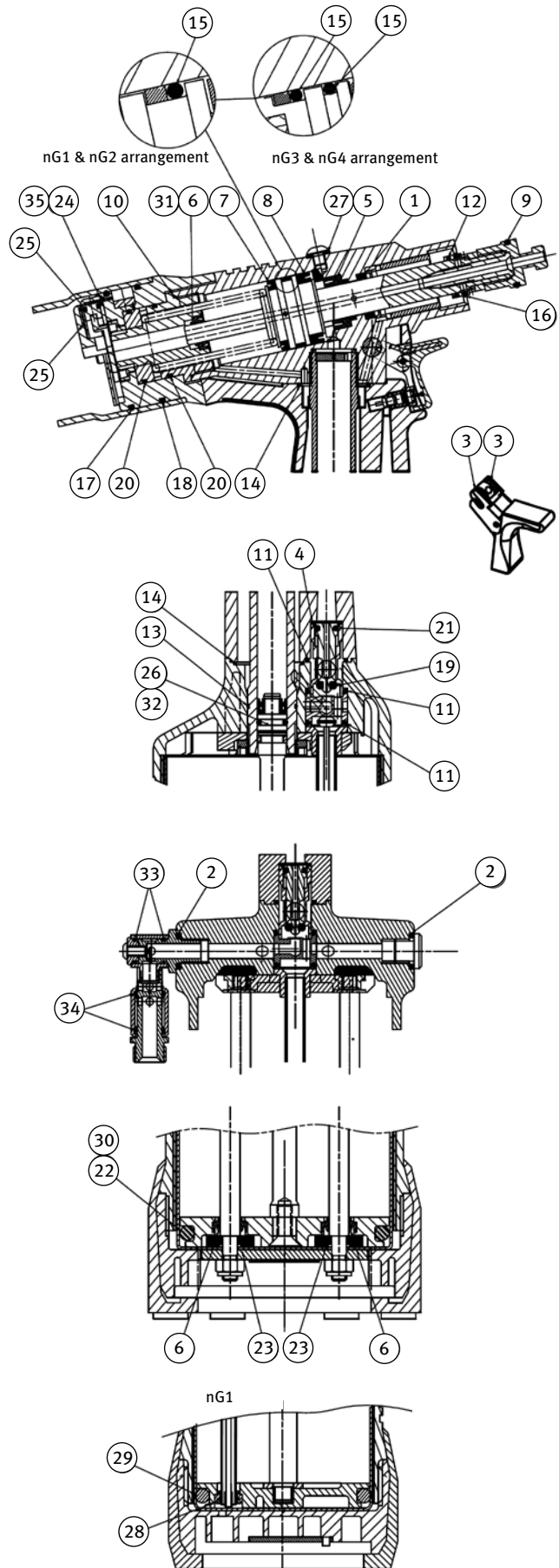
Seal Kits for Genesis® nG Series

Seal Kit No. 1 for nG1, nG2, nG3 & nG4

Part No. 71213-99991

(consisting of Seal Kits No. 2 - 7 plus items 3, 13, 14, 26, 27, 28, 29, 32 which are included in this Seal Kit only)

Item	Part No.	Description	Qty.
1	07003-00333	Lip Seal	1
2	07003-00127	O-Ring	2
3	07003-00189	O-Ring	2
4	07003-00271	O-Ring	1
5	07003-00273	Lip Seal	1
6	07003-00274	Lip Seal	4
7	07003-00275	Lip Seal (nG1 & nG2)	1
8	07003-00341	Lip Seal	1
9	07003-00277	O-Ring	1
10	07003-00278	O-Ring	1
11	07003-00281	O-Ring	3
12	07003-00204	O-Ring	1
13	07003-00287	O-Ring	1
14	07003-00288	O-Ring	2
15	07003-00342	O-Ring	2
16	07003-00310	O-Ring	1
17	07003-00415	O-Ring	1
18	07003-00416	O-Ring	1
19	07003-00268	O-Ring	1
20	07003-00398	O-Ring	2
21	07003-00042	O-Ring	1
22	07003-00280	O-Ring (nG1)	1
23	07003-00027	O-Ring	2
24	07003-00411	O-Ring	1
25	07003-00412	O-Ring	2
26	71210-03800	Seal Assy (nG1, nG2 & nG3)	1
27	07003-00194	Bonded Seal	1
28	07003-00300	Lip Seal (nG1)	1
29	07003-00293	O-Ring (nG1)	1
30	07003-00182	O-Ring (nG3 & nG4)	1
31	07003-00374	Lip Seal (nG4)	1
32	71230-03800	Seal Assy (nG4)	1
33	07003-00042	O-Ring	2
34	07003-00284	O-Ring	2
35	74200-12060	O-Ring	1



An Acument™ Global Technologies Company

www.avdel-global.com

© 2007 Acument Intellectual Properties, LLC

Genesis® is a trademark of Avdel UK Limited.

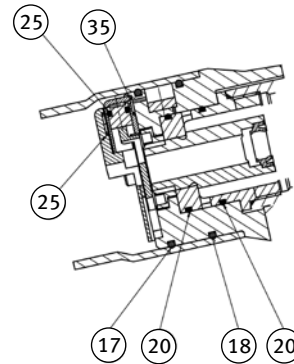
06.2007, page 1/3

Data shown is subject to change without prior notice as a result of continuous product development and improvement policy.
Your local Avdel representative is at your disposal should you need to confirm latest information.

Seal Kits for Genesis® nG Series

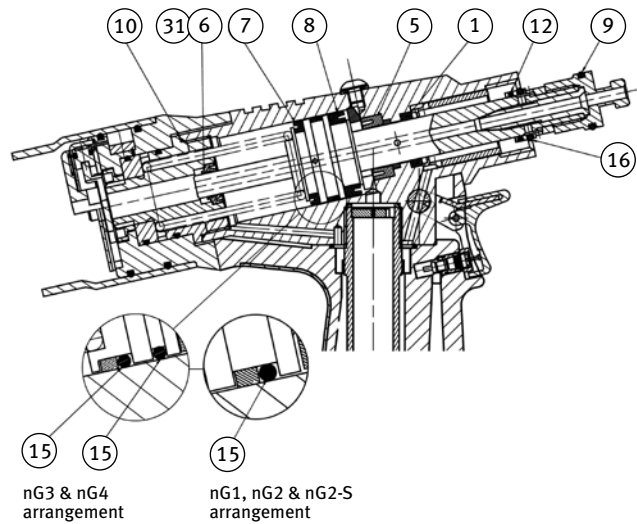
Seal Kit No. 2 - Bottle Adaptor nG1, nG2, nG2-S, nG3, nG4 Part No. 71213-99992

Item	Part No.	Description	Qty.
17	07003-00415	O-Ring	1
18	07003-00416	O-Ring	1
20	07003-00398	O-Ring	2
25	07003-00412	O-Ring	2
35	74200-12060	O-Ring	1



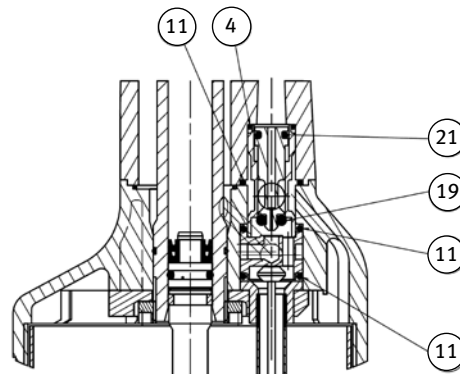
Seal Kit No. 3 - Head Piston nG1, nG2, nG2-S, nG3, nG4 Part No. 71213-99993

Item	Part No.	Description	Qty.
1	07003-00333	Lip Seal	1
5	07003-00273	Lip Seal	1
6	07003-00274	Lip Seal	1
7	07003-00275	Lip Seal (nG1, nG2, nG2-S)	1
8	07003-00341	Lip Seal	1
9	07003-00277	O-Ring	1
10	07003-00278	O-Ring	1
12	07003-00204	O-Ring	1
15	07003-00342	O-Ring	2
16	07003-00310	O-Ring	1
31	07003-00374	Lip Seal (nG4)	1



Seal Kit No. 4 - Pneumatic Valve Assembly nG1, nG2, nG3, nG4 Part No. 71213-99994

Item	Part No.	Description	Qty.
4	07003-00271	O-Ring	1
11	07003-00281	O-Ring	3
19	07003-00268	O-Ring	1
21	07003-00042	O-Ring	1



An Acument™ Global Technologies Company

www.avdel-global.com

© 2007 Acument Intellectual Properties, LLC

Genesis® is a trademark of Avdel UK Limited.

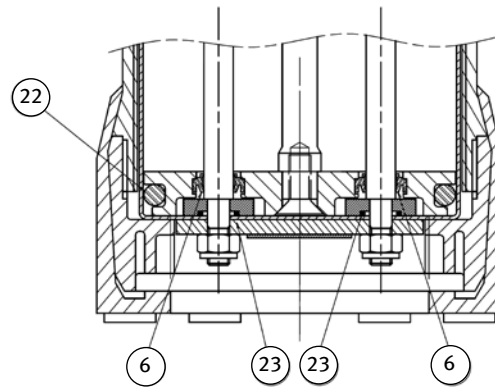
06.2007, page 2/3

Data shown is subject to change without prior notice as a result of continuous product development and improvement policy.
Your local Avdel representative is at your disposal should you need to confirm latest information.

Seal Kits for Genesis® nG Series

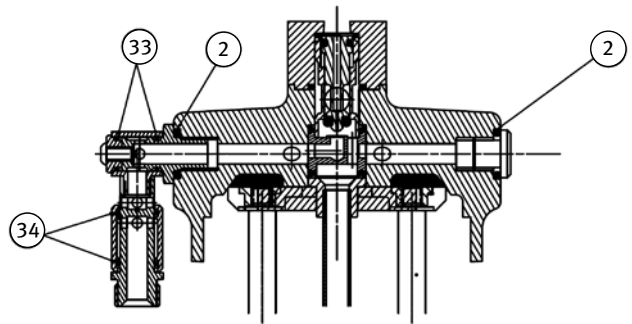
Seal Kit No. 5 - Pneumatic Piston nG2 Part No. 71213-99995

Item	Part No.	Description	Qty.
6	07003-00274	Lip Seal	3
22	07003-00280	O-Ring	1
23	07003-00027	O-Ring	2



Seal Kit No. 6 - On/Off Valve nG1, nG2, nG3, nG4 Part No. 71213-99996

Item	Part No.	Description	Qty.
2	07003-00127	O-Ring	2
33	07003-00042	O-Ring	2
34	07003-00284	O-Ring	2



Seal Kit No. 7 - Pneumatic Piston nG3, nG4 Part No. 71223-99992

Item	Part No.	Description	Qty.
6	07003-00274	Lip Seal	3
23	07003-00027	O-Ring	2
30	07003-00182	O-Ring	1

