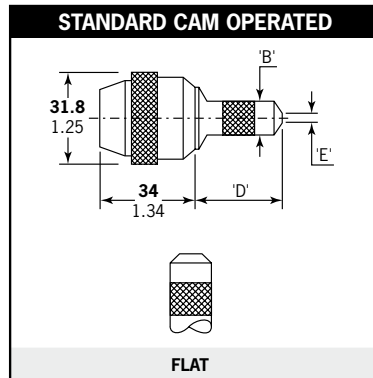
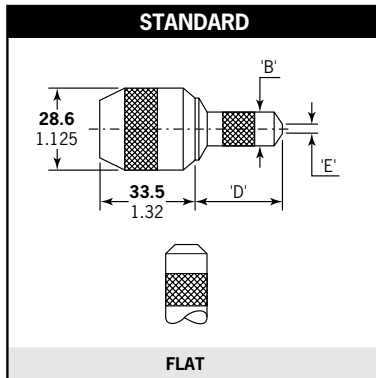


Avsert® Nose Equipment

Ensembles de nez / Mundstücke / Equipaggiamento / Equipos de colocación



Applications with no or little access restrictions.
Pour applications ne présentant que peu ou pas de contraintes d'accès.

Für alle gut zugänglichen Nietpunkte.

Adatta per applicazioni senza restrizioni di accesso o con restrizioni di accesso limitate.

Apta para aquellas aplicaciones sin ninguna o pocas restricciones de acceso.

Nose equipment with addition of a twist cam to ease and speed up the nose jaw opening thus the pod reloading procedure.

Ensembles de nez avec, en plus, une came facilitant et accélérant l'ouverture du nez de pose, et donc le rechargement en fixations.

Zum leichteren Magazinieren haben diese Mundstücke durch einen Drehring zu öffnende Mundstückschnäbel.

Equipaggiamento con l'aggiunta di una camma per facilitare e rendere più veloce l'apertura della testata e pertanto la procedura di ricarica dell'astuccio portarivetti.

Boquillas que incorporan una leva para facilitar y hacer más rápida la apertura de la boquilla y el procedimiento de carga.

| Ø nom. | Fastener / Rivets / Niettyp / Rivetti / Remaches | Nose Equipment / Nez de pose / Mundstück / Testata / Boquilla / | Part No/ref | Dimensions / Dimension / Abmessungen / Dimensioni / Di- mensiones | | |
|-------------|--|---|-------------|---|------|-----|
| | | | | B | D | E |
| M2.5 x 0.45 | Avsert® | Standard | 07150-03003 | .36 | 1.30 | .16 |
| M3 x 0.5 | | Standard | 07150-03004 | .41 | 1.18 | .20 |
| | | Standard cam operated | 07170-04600 | | | |

all dimensions in inches / en pouces / alle Maße in Zoll / in pollici / en pulgadas



www.avdel-global.com

© 2010 Infastech

Avsert® is a trademark of Avdel UK Limited

05.2009

Data shown is subject to change without prior notice as a result of continuous product development and improvement policy.
Your local Avdel representative is at your disposal should you need to confirm latest information.