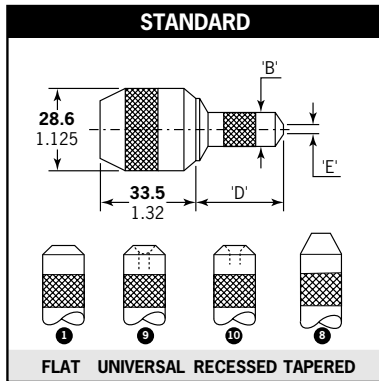


Briv[®], Chobert[®] & Grovit[®] Nose Equipment

Ensembles de nez / Mundstücke / Equipaggiamento / Equipos de colocación

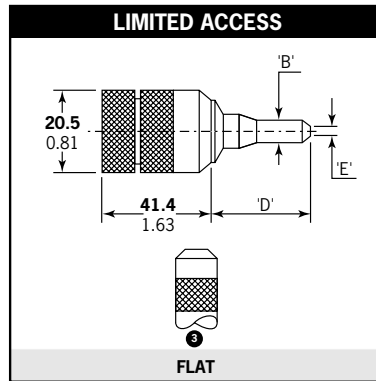


Applications with no or little access restrictions.
Pour applications ne présentant que peu ou pas de contraintes d'accès.

Für alle gut zugänglichen Nietpunkte.

Adatta per applicazioni senza restrizioni di accesso o con restrizioni di accesso limitate.

Apta para aquellas aplicaciones sin ninguna o pocas restricciones de acceso.

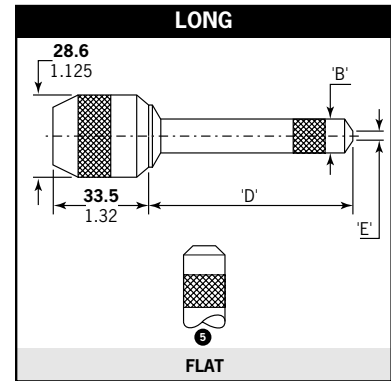


Allows access into very restrictive applications.
Permet d'accéder à des applications à accès très limité.

Für eng an den Bauteilseiten anliegende Nietpunkte.

Consente l'accesso ad applicazioni con serie restrizioni di accesso.

Permite el acceso en aplicaciones de acceso extremadamente limitado.



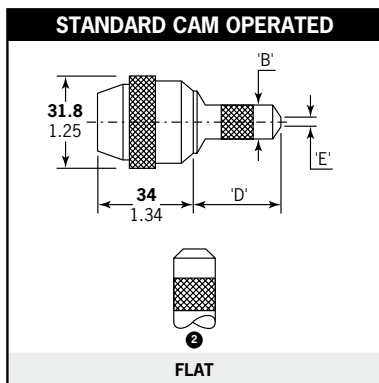
Allows more penetration into applications.

Permet une pénétration supérieure dans les applications sans autres contraintes d'accès.

Für tiefsitzende und eng an den Bauteilseiten anliegende Nietpunkte.

Consente una penetrazione maggiore nell'applicazione senza altre restrizioni di accesso.

Permite una mayor profundidad de acceso en aquellas aplicaciones sin restricción de acceso en anchura.



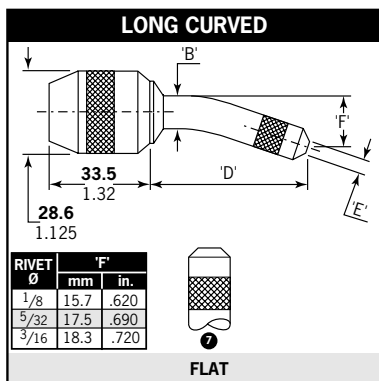
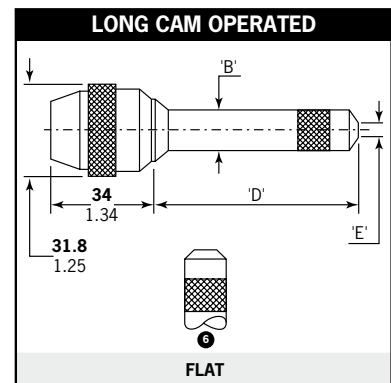
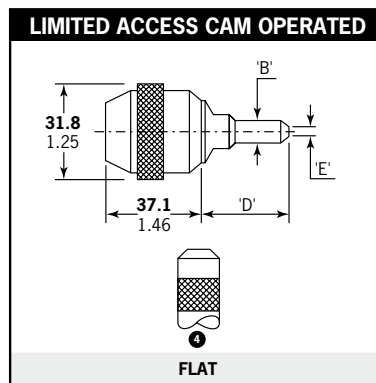
Nose equipment with addition of a twist cam to ease and speed up the nose jaw opening thus the pod reloading procedure.

Ensembles de nez avec, en plus, une came facilitant et accélérant l'ouverture du nez de pose, et donc le rechargement en fixations.

Zum leichteren Magazinieren haben diese Mundstücke durch einen Drehring zu öffnende Mundstückschnäbel.

Equipaggiamento con l'aggiunta di una camma per facilitare e rendere più veloce l'apertura della testata e pertanto la procedura di ricarica dell'astuccio portarivetti.

Boquillas que incorporan una leva para facilitar y hacer más rápida la apertura de la boquilla y el procedimiento de carga.



Type

- 1 - 7 Flat / Plat / Flach / Piatta / Plana
- 8 Tapered / Biseauté / Spitz / A punta / Conica
- 9 Universal / Universel / Für erhöhte Klammerkraft / Universale / concava
- 10 Recessed / En retrait / Spezial / Incassata / Apriete

Allows more penetration into applications.

Permet une pénétration supérieure dans les applications à accès limité.

Für tiefsitzende und eng an den Bauteilseiten anliegende Nietpunkte.

Consente una penetrazione maggiore nelle applicazioni con restrizioni di accesso.

Permite una mayor penetración en las aplicaciones con acceso limitado.



An Acument™ Global Technologies Company

www.avdel-global.com

© 2007 Acument Intellectual Properties, LLC

Briv[®], Chobert[®] and Grovit[®] are trademarks of Avdel UK Limited

10.2009, page 1/2

Data shown is subject to change without prior notice as a result of continuous product development and improvement policy.
Your local Avdel representative is at your disposal should you need to confirm latest information.

Briv[®], Chobert[®] & Grovit[®] Nose Equipment

Ensembles de nez / Mundstücke / Equipaggiamento / Equipos de colocación

Ø nom.	Fastener / Rivets / Niettyp / Rivetti / Remaches	Nose Equipment / Nez de pose / Mundstück / Testata / Boquilla /	Type	Part No/ref	Dimensions / Dimension / Abmessungen / Dimensioni / Dimensiones		
					B	D	E
2.4 (3/32")	Briv [®] / Chobert [®] / Grovit [®]	Standard	①	07150-03003	9.14	33.02	4.06
		Standard cam operated	②	07170-04500	9.14	33.02	
		Limited access	③	07274-01000	5.59	27.18	
		Limited access cam operated	④	07177-03003	5.08	29.97	
		Standard tapered	⑤	07170-03103	9.14	33.02	
3.2 (1/8")	Briv [®] / Chobert [®] / Grovit [®]	Standard	①	07150-03004	10.41	29.97	5.08
		Standard cam operated	②	07170-04600		29.97	
		Long	⑤	07150-04004		55.37	
		Long cam operated	⑥	07170-05000		55.37	
		Long curved	⑦	07150-05004		53.85	
		Standard tapered	⑧	07170-03104		30.23	
	Double Flush Chobert [®]	Standard cam operated	②	07537-03100	29.07	5.95	
4.0 (5/32")	Briv [®] / Chobert [®] / Grovit [®]	Standard	①	07150-03005	12.19	33.02	6.10
		Standard cam operated	②	07170-04700		33.02	
		Long	⑤	07150-04005		58.42	
		Long cam operated	⑥	07170-05100		58.42	
		Long curved	⑦	07150-05005		56.64	
	Chobert [®] / Grovit [®]	Standard tapered	⑧	07150-03105	11.18	33.02	
4.8 (3/16")	Briv [®] / Chobert [®]	Standard	①	07150-03006	14.22	29.97	8.38
		Standard cam operated	②	07170-04800		29.97	
		Long	⑤	07150-04006		58.42	
		Long cam operated	⑥	07170-05200		58.42	
		Long curved	⑦	07150-05006		56.13	
	Chobert [®]	Standard tapered	⑧	07150-03106	29.97		
	6.0	Briv [®]	Standard	①	07170-05800	16.33	30.65
Standard cam operated			②	07170-05600	30.65		
Long			⑤	07170-05900	55.65		
Long cam operated			⑥	07170-05700	55.65		
6.4 (1/4")	Chobert [®]	Standard	①	07150-03008	16.26	29.97	9.91
		Standard cam operated	②	07170-04900		29.97	
		Long	⑤	07150-04008		55.37	
		Long cam operated	⑥	07170-05300		55.37	

Head forming Nose Equipment / a formage de tête / kopfformend / a formatura di testa / tipo de boquilla

2.4 (3/32")	Briv [®] 1)	Standard	⑨	07150-03203	9.14	33.78	6.60
3.2 (1/8")			⑩	07170-03004	10.41	30.48	7.62
4.0 (5/32")			⑨	07150-03204		30.99	7.69
4.8 (3/16")			⑩	07170-03005	12.19	33.53	10.41
			⑨	07150-03205		34.29	
			⑩	07170-03006	14.22	30.48	12.01
	⑨	07150-03206	31.50				

all dimensions in mm / en millimètres / alle Maße in mm / in millimetri / en milimetro

1) except stainless steel and countersunk / sauf inox et tête fraisée / außer Edelstahl und Senkkopf / eccetto acciaio inox e testa svasata / excepto acero inoxidable y cabeza avellanada

⑨ maximises clench but reduces grip range by approx. 0.4 mm / obtenir le plus fort serrage possible, mais la prise maximum se trouve réduite d'environ 0,4 mm / maximierte Klemmkraft bei Verringerung des Klemmbereiches um ca. 0,4 mm / ottiene la ribaditura più alta possibile, ma la distanza massima tra i centri dei rivetti viene ridotta di circa 0,4 mm / se alcanza un máximo apriete en la fijación, pero el espesor máximo se reduce en aproximadamente 0,4 mm

⑩ increases clench without affecting grip range / Augmente le sertissage sans influencer l'épaisseur / erhöhte Klemmkraft bei gleichem Klemmbereich / aumenta la ribaditura (la presa di rivettatura) senza compromettere lo spessore / incrementa el apriete sin afectar al rango de espesores a remachar



An Acument™ Global Technologies Company

www.avdel-global.com

© 2007 Acument Intellectual Properties, LLC

Briv[®], Chobert[®] and Grovit[®] are trademarks of Avdel UK Limited

10.2009, page 2/2

Data shown is subject to change without prior notice as a result of continuous product development and improvement policy.
Your local Avdel representative is at your disposal should you need to confirm latest information.