

Hydro Pneumatic Tool for Threaded Inserts

74201 Model

Features

- Pressure setting
- Lightweight and ergonomic design
- Plastic covered cast aluminium body
- Heavy duty rubber base
- Steel tie rods
- Can be suspended or hand-held

Benefits

- Ideal for applications with varying sheet thicknesses, without any adjustment to stroke
- Overcomes rear sheet swarf issues
- Reduces operator fatigue
- Increased productivity
- Increased impact resistance, durability and structural integrity
- Ensures accurate and secure thread installation

Specifications

Weight	2.1 kg (4.6 lbs)
Pull Force	17.7 kN (4,000 lbf)
Stroke	7 mm (0.276 in)
Cycle Time	2.5 sec
Air Supply Pressure	5 - 7 bar
Free air volume	7.5 litres
Noise level	75 dB(A)
Vibration	<2.5m/s ²

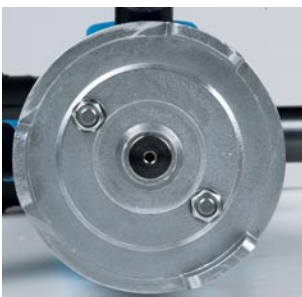
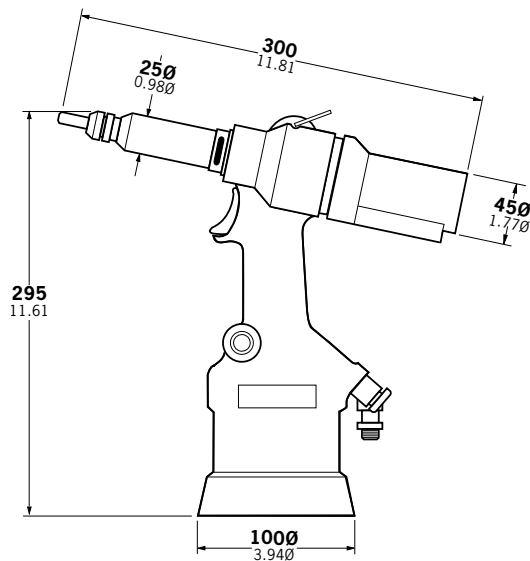
Placing capability

Avdel threaded inserts M3 to M8.

For detailed information on placing capability and nose equipment please refer to the tool manual on our website www.avdel-global.com or contact your local Avdel representative.



Dimensions (mm/inch)



Steel tie rods for increased structural integrity



Pressure setting adjustment dial

