

Lightweight Tool for Speed Fastening® Systems

7537 Model

Features

- Ergonomic design, lightweight tool
- Intensifier made integral to the hand tool
- Can be suspended (optional)
- Use hydraulic for placing fasteners (reduced shock loads)
- Utilizes standard 753 nose equipment
- Can place the same range of fasteners as 7530 tool
- Specially toughened plastic body and heavy duty rubber base
- Integral cycle counter

Benefits

- Reduced operator fatigue, increased productivity
- No need for long umbilical
- Reduced setting time
- Ease of maintenance
- Increased impact resistance and durability

Specifications

Weight	2.2kg (4.85lbs)
Pull Force	3.89kN (875lbf)
Stroke	30mm (1.18ins)
Cycle Time	1.0 sec
Air Supply Press.	5 – 7 bar
Free Air Volume @ 5,1 bar	2.6 litres
Noise Level	< 70 dB(A)
Vibration	< 2.5m/s ²
Cycle counter	Yes
Intensification ratio	37:1

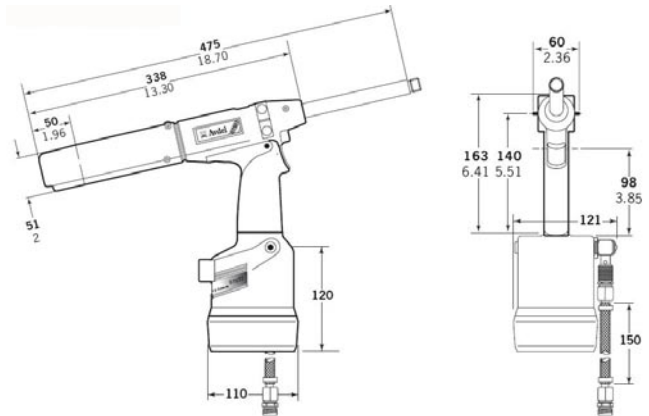
Placing capability

The 07537 placing tool can place the whole range of Speed Fastening® fasteners from diameter 3/32" (2.4mm) to 1/4" (6.4 mm).

For detailed information on placing capability and nose equipment please refer to the tool manual on our website www.avdel-global.com or contact your local Avdel representative.



Dimensions (mm/inches)



www.avdel-global.com

Avdel UK Limited
Pacific House, 2 Swiftfields
Welwyn Garden City, Hertfordshire AL7 1LY
Tel. +44 (0)1707 292-000 · Fax -199
enquiries@infastech.com

© 2010 Infastech

Avdel Patent Protected. Speed Fastening® is a trademark of Avdel UK Limited.

02b.2007

Data shown is subject to change without prior notice as a result of continuous product development and improvement policy.
Your local Avdel representative is at your disposal should you need to confirm latest information.