

# Genesis® nG1 Hydro Pneumatic Tool

71203 series with quick release stem collector bottle

71204 series with fixed stem collector bottle

## Features

- Lightweight tool
- Toughened plastic body and heavy duty rubber base
- Quick release nose assembly
- Quick release stem collector bottle (71203 series)
- Fixed stem collector bottle (71204 series)
- Vacuum air supply shut-off on trigger
- Enhanced tool life
- Soft touch rubber grip on handle

## Benefits

- Reduces operator fatigue
- High placement speed
- Robust tool
- Reduced setting times and change of equipment
- Minimized air consumption
- Reduced time to empty stem collector
- Places a wide range of fasteners
- Ergonomic

## Specifications

Weight (min. with equip.)	1.7 kg (3.7 lbs)
Pull force @ 5.5 bar	6.0 kN (1350 lbf)
Stroke (min.)	14 mm (0.55 in)
Cycle time (approx.)	0.9 sec
Air supply pressure	5- 7 bar (80-100 psi)
Free air volume @ 5.5 bar	1.2 litres
Noise level	<75 dB(A)
Vibration	<2.5m/s <sup>2</sup>

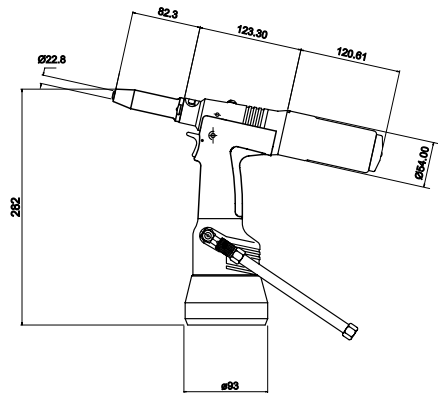
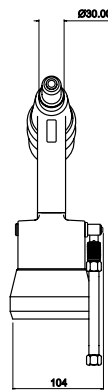
## Placing capability

Up to 4.8 mm (3/16") aluminium breakstem rivets and up to 4.0 mm (5/32") steel breakstem rivets produced by Avdel. Can also place Avseal® II 4 and 5 mm sealing plugs.

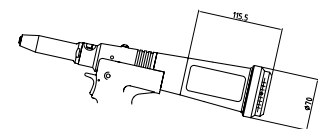
For detailed information on placing capability and nose equipment please refer to the tool manual on our website [www.avdel-global.com](http://www.avdel-global.com) or contact your local Avdel representative.



## Dimensions (mm)



Quick release stem collector bottle option (71203 series)



Fixed stem collector bottle option (71204 series)



An Acument™ Global Technologies Company

[www.avdel-global.com](http://www.avdel-global.com)

Avdel UK Limited  
Pacific House, 2 Swiftfields  
Welwyn Garden City, Hertfordshire AL7 1LY  
Tel. +44 (0)1707 292-000 · Fax -199  
[enquiries@acument.com](mailto:enquiries@acument.com)

© 2008 Acument Intellectual Properties, LLC

Avdel Patent Protected. Avseal® and Genesis® are trademarks of Avdel UK Limited.

01a.2008

Data shown is subject to change without prior notice as a result of continuous product development and improvement policy.  
Your local Avdel representative is at your disposal should you need to confirm latest information.