

# Genesis® nG2-S Hydro Pneumatic Split Tool

71401 series with quick release stem collector bottle

71404 series with fixed stem collector bottle

## Features

- Split tool for breakstem rivets
- Lightweight placing head
- Remote intensifier
- Quick release nose assembly
- Quick release stem collector bottle (71401 series)
- Fixed stem collector bottle (71404 series)
- Adjustable vacuum air flow
- Enhanced tool life
- Soft touch rubber grip on handle

## Benefits

- Reduces operator fatigue
- High placement speed
- Robust tool
- Reduced setting times and change of equipment
- Minimized air consumption
- Reduced time to empty stem collector
- Places a wide range of fasteners
- Ergonomic

## Specifications

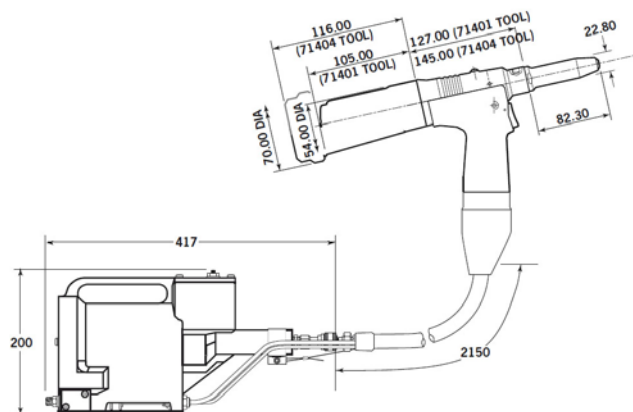
Head weight (min. with equip.)	1.2 kg
Pull force @ 5.5 bar	10.88 kN
Stroke (min.)	17 mm
Cycle time (approx.)	1 sec
Air supply pressure	5- 7 bar
Free air volume @ 5.5 bar	3.6 litres
Noise level	<75 dB(A)
Vibration	<2.5m/s <sup>2</sup>
Intensifier ratio	44:1

## Placing capability

Up to 4.8mm (3/16") breakstem rivets.  
Can also place Avseal® II sealing plug up to 7 mm.  
For detailed information on placing capability and nose equipment please refer to the tool manual on our website [www.avdel-global.com](http://www.avdel-global.com) or contact your local Avdel representative.



## Dimensions (mm)



[www.avdel-global.com](http://www.avdel-global.com)

Avdel UK Limited  
Pacific House, 2 Swiftfields  
Welwyn Garden City, Hertfordshire AL7 1LY  
Tel. +44 (0)1707 292-000 · Fax -199  
[enquiries@infastech.com](mailto:enquiries@infastech.com)

© 2010 Infastech

Avdel Patent Protected. Avseal® and Genesis® are trademarks of Avdel UK Limited.

11.2011

Data shown is subject to change without prior notice as a result of continuous product development and improvement policy.  
Your local Avdel representative is at your disposal should you need to confirm latest information.