

Genesis® nG3 Hydro Pneumatic Tool

71224 series with fixed stem collector bottle

Features

- Lightweight tool
- Toughened plastic body and heavy duty rubber base
- Vacuum air supply cut-off on trigger
- Enhanced tool life
- Soft touch rubber grip on handle
- Integral cycle counter

Benefits

- Reduces operator fatigue
- High placement speed
- Robust tool
- Minimized air consumption
- Places a wide range of fasteners
- Ergonomic

Specifications

Weight (min. with equip.)	2.3 kg (5.1 lbs)
Pull force @ 5.5 bar	12.9 kN (2900 lbf)
Stroke (min.)	26 mm (1.02 in)
Cycle time (approx.)	1.2 sec
Air supply pressure	5- 7 bar (80-100 psi)
Free air volume @ 5.5 bar	4.3 litres
Noise level	<75 dB(A)
Vibration	<2.5m/s ²

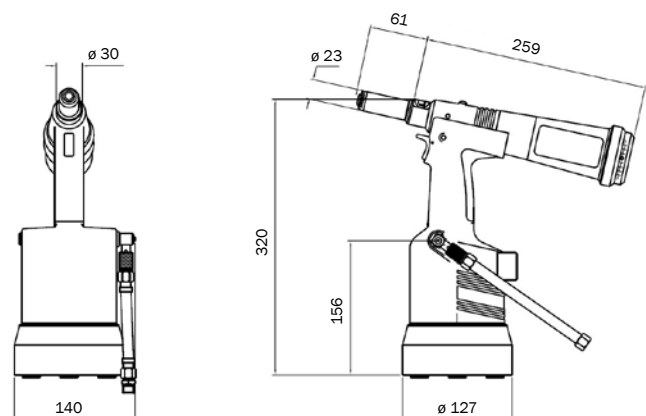
Placing Capability

Up to 6.4mm (1/4") breakstem rivets produced by Avdel, except Avibulb® XT, Avinox® XT and Hemlok® structural fasteners. Can also place Avseal® II sealing plugs up to 9 mm and Avtainer® lockbolts 10 mm (3/8").

For detailed information on placing capability and nose equipment please refer to the tool manual on our website www.avdel-global.com or contact your local Avdel representative.



Dimensions (mm)



www.avdel-global.com

Avdel UK Limited
Pacific House, 2 Swiftfields
Welwyn Garden City, Hertfordshire AL7 1LY
Tel. +44 (0)1707 292-000 · Fax -199
enquiries@infastech.com

© 2010 Infastech

Avdel Patent Protected. Avibulb®, Avinox®, Avseal®, Avtainer®, Hemlok® and Genesis® are trademarks of Avdel UK Limited.
Data shown is subject to change without prior notice as a result of continuous product development and improvement policy.
Your local Avdel representative is at your disposal should you need to confirm latest information.

03b.2010