

Media Contact:

Wolfgang Colshorn
+49 (0)511 7288-251
wcolshorn@acument.com

For immediate release

Blind side structural fastening with strength normally only found in more traditional two sided fastening methods

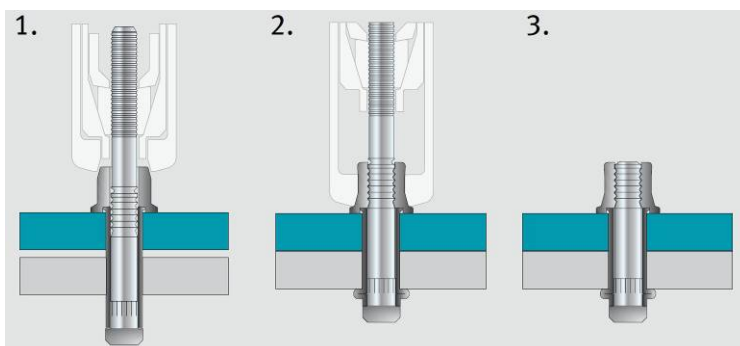


WELWYN GARDEN CITY (UK) – 10 December 2008 -

The popular Avbolt[®] fastener is now also available in a 5/8" (16mm) diameter. The Avbolt[®] structural fastener is a high strength, tamper resistant, blind steel fastener designed for use in heavy-duty structural applications such as automotive, construction, container, railway and mining.

It enlarges the wide range of Avdel[®] structural lockbolts by offering high tensile and shear strength that is normally only possible with a non blind lockbolt. The Avbolt[®] fastener is ideal for areas with restricted access. It's simple to use with fast, positive single sided installation requires minimal operator skill.

The Avbolt[®] fastener is available in three diameters, 1/4", 3/8", 5/8" and 25 different lengths. Two Installation tools are available, the 722 (1/4") or the HAT tool which can place 3/8" & 5/8".



Blind installation speeds up the fastening process and allows fastening in areas with restricted access. The installation merely involves placing the fastener into a hole and actuating the trigger once. This simple operation reduces the need for skilled labour on the production line.

The visible lock formed at the top of collar allows easy inspection of correct placing.

Smaller Avbolt® fasteners feature a 2 piece design, a sleeve and collar component and a stem. The larger Avbolt® fasteners (3/8" and 5/8") feature a three piece design with separate sleeve, collar and stem components that are pre-assembled in our manufacturing facility to create the finished fastener.

During installation the collar is mechanically swaged on to the stem to prevent unwanted removal, making the Avbolt® fastener tamper resistant. The mechanical lock also ensures a vibration resistant joint making the Avbolt® fastener ideal in situations which require a tough durable fastener.

Avbolt® fasteners have been designed to provide a permanent joint. This provides a number of security benefits and enables Avbolt® fasteners to be TIR approved. If removal of a fastener is needed, the fasteners can be removed using an angle grinder and punch.

Avdel®, an Acument™ Global Technologies company, is a leader of blind-fastening products and associated installation tools. Thanks to a long period as a technology leader, Avdel's range of blind-fastening technologies is one of the widest available in the market. Avdel offers its customers world-wide availability with production facilities and sales networks in Europe, America and Asia/Pacific.

www.avdel-global.com

Picture print files:

Avbolt_21001_HiRes.tif

Avbolt_placing_sequence.tif

Avdel UK Limited

Pacific House

2 Swiftfields

Watchmead Industrial Estate

Welwyn Garden City

Hertfordshire

AL7 1LY

Tel: +44 (0) 1707 292000

Fax: +44 (0) 1707 292199

Email: enquiries@acument.com

Avdel[®], and Avbolt[®] are trademarks of Avdel UK Limited

NOTE: The properties, strengths, dimensions, installed characteristics and all other information in this press release is for guidance only to aid in the correct selection of the products described herein and is not intended or implied as part of any warranty as to qualities, fitness for purpose, or merchantability. All applications should be evaluated for functional stability and available samples of the described parts can be requested for installed tests, suitability and evaluations.