

Media Contact:

Wolfgang Colshorn
+49 (0)511 7288-251
wcolshorn@acument.com

For Immediate Release

Patented Joining Technology

New Avibulb[®] XT steel and Avinox[®] XT stainless steel fasteners from Avdel

WELWYN GARDEN CITY – 20. May 2010 – In response to market demand, Avdel continues the expansion of its product portfolio with the development of two new 6.4 mm (¼") fasteners. The introduction of the Avibulb[®] XT and Avinox[®] XT breakstem fasteners enables Avdel to offer one of the most versatile blind rivets on the market at a highly competitive price point.

The unique bulb formation, and a special patented stem and body geometry, create the widest grip range of any bulbing rivet in the market, whilst offering high shear and tensile performance and a wide hole tolerance.

A grip range of 1.5 to 9.0 mm (.059" to .354") is covered using just two part numbers, reducing inventory and enabling greater fastener standardization. The bulb formation also helps to create a weather resistant seal for a longer lasting and more reliable joint.

During installation, the large footprint provided by the blind side bulb formation ensures load spreading - ideal for soft or brittle materials. The bulb also provides nice aesthetics of the installed fasteners, perfect for high-end finish applications.

With shear strengths of 11.1 kN (2495 lbf) for the Avibulb[®] XT and 14.3 kN (3215 lbf) for the Avinox[®] XT, these new structural breakstem fasteners set a new benchmark for truly versatile blind rivets. This has already sparked significant interest with new applications in automotive, truck trailer, heating and ventilation, domestic appliances, industrial equipment and renewable energies.

For installation, Avdel power tools with corresponding nose equipment are available. The Genesis[®] nG4 power tool is recommended.

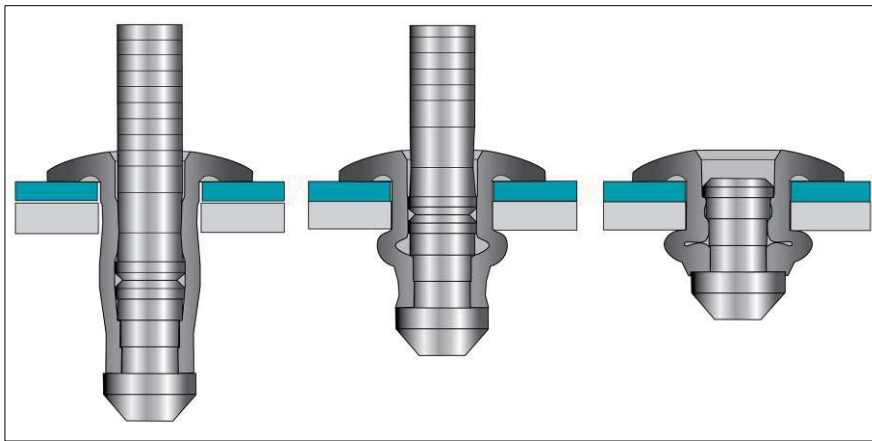
Avdel[®] is among the world's leading providers of blind-fastening products and associated installation tools. Avdel's range of blind-fastening technologies is one of the widest available in the market. Avdel offers its customers worldwide accessibility with production facilities and sales networks in Europe, America and Asia/Pacific.

www.avdel-global.com



The patented fasteners are available in steel and stainless steel.

picture print file: Avdel_Avibulb_XT.jpg



At placing a large bulbed head is formed that ensures consistent load spreading in the workpiece. That opens up new applications in soft or brittle materials.

picture print file: Avdel_Avibulb_Avinox_XT_PlacingSequence.jpg

Avdel UK Limited

Pacific House
2 Swiftfields
Watchmead Industrial Estate
Welwyn Garden City
Hertfordshire
AL7 1LY
Tel: +44 (0) 1707 292000
Fax: +44 (0) 1707 292199
Email: enquiries@acument.com

Avdel[®], Avibulb[®], Avinox[®] and Genesis[®] are trademarks of Avdel UK Limited.

NOTE: The properties, strengths, dimensions, installed characteristics and all other information in this press release is for guidance only to aid in the correct selection of the products described herein and is not intended or implied as part of any warranty as to qualities, fitness for purpose, or merchantability. All applications should be evaluated for functional stability and available samples of the described parts can be requested for installed tests, suitability and evaluations. Data shown is subject to change without prior notice as a result of continuous product development and improvement policy.